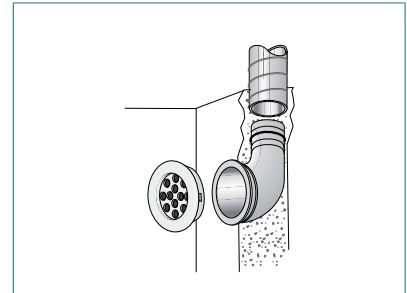
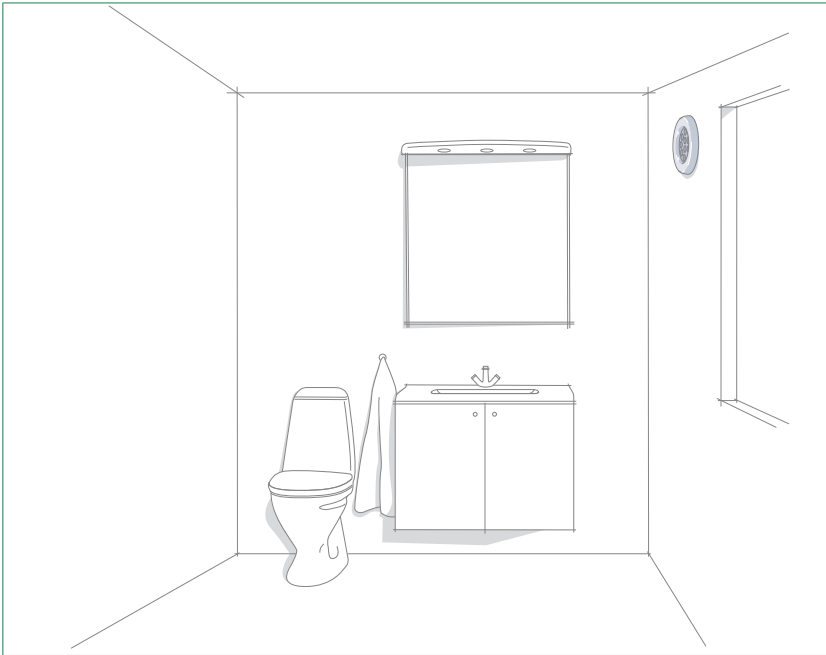


## BYBA Exhaust air valve



Exhaust air terminal valve BYBA is intended for use in detached houses and apartments with mechanical ventilation. The valve can be positioned on a wall or a ceiling.

### Quick Selection

Valve	Air flow range l/s [m <sup>3</sup> /h] at sound level		
	20 dB	25 dB	30 dB
BYBA	17	22 [79]	24

### Specifications

Low sound level.

Can be installed without a mounting ring.

Easy to adjust.

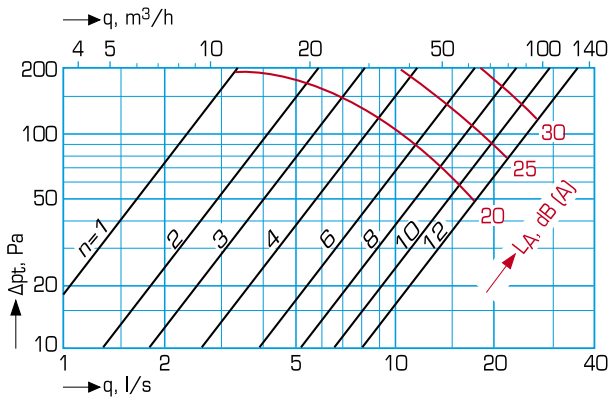
Easy to clean.

### Product code example

Exhaust air valve BYBA-4-010

**Air flow, acoustical data**

Air flow, pressure drop, sound level



n = Number of open holes

**Sound power level**

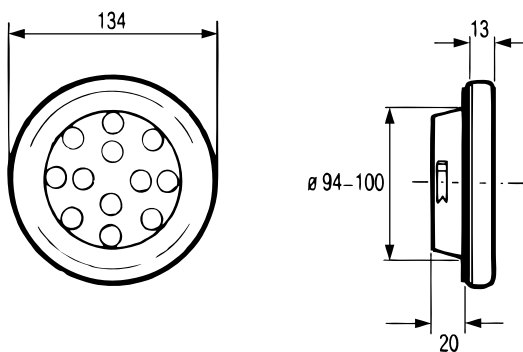
Correction of sound level in dB at							
125	250	500	1000	2000	4000	8000	
-1	0	1	1	-4	-9	-12	

**Sound Attenuation**

Open Holes	Sound attenuation in dB at						
	125	250	500	1000	2000	4000	8000
2	23	22	24	18	16	15	10
6	19	16	15	12	8	10	7
12	19	15	12	9	5	5	3

**Dimensions and weights**

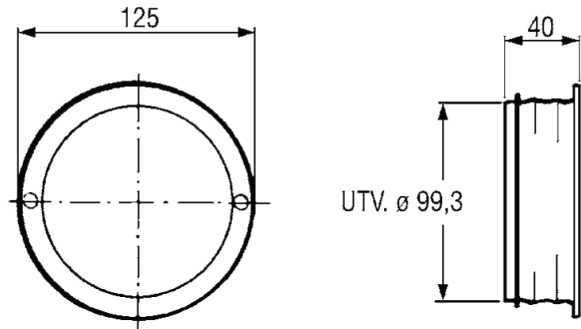
Exhaust air valve BYBA-4-010



Weight: 0.1 kg

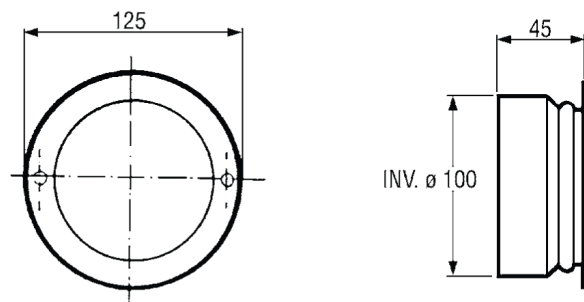
The valve is supplied with one hole open. The desired flow is obtained by progressively removing plugs in other holes.

Mounting ring KGEZ-01-100, insertion connection



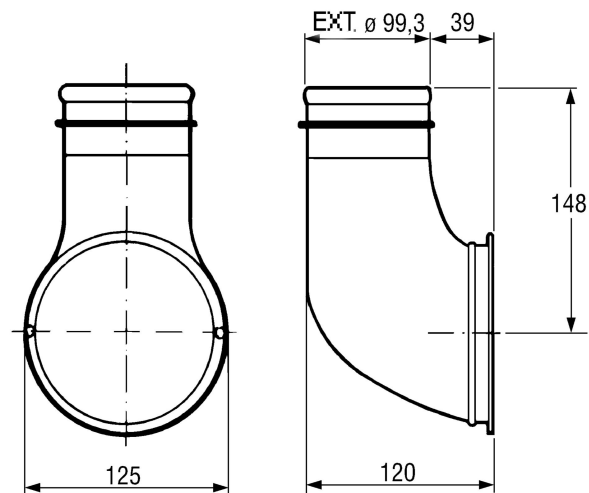
Weight: 0.1 kg

Mounting ring KGEZ-05-100, fit-on connection



Weight: 0.1 kg

Angle duct KGEZ-43-100-080

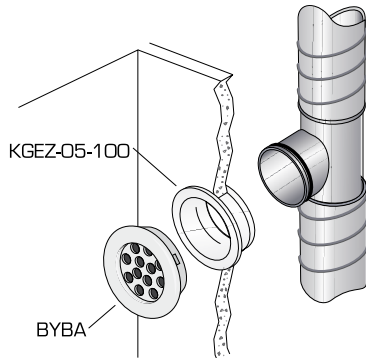


Weight: 0.1 kg

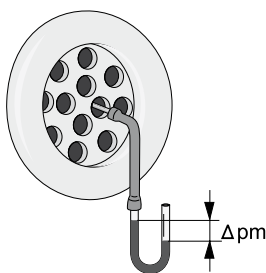
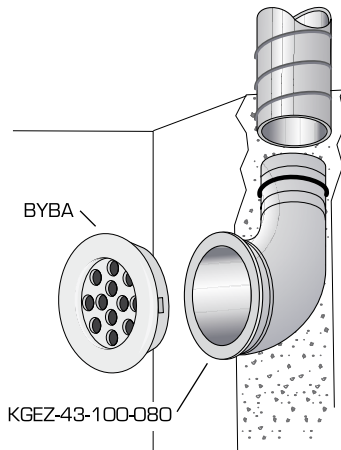
## Installation, adjustment, application, product code

### Installation and adjustment

Exhaust air valve connected to mounting ring



Exhaust air valve connected to angle duct



$$q = k \sqrt{\Delta p_m}$$

(l/s) (Pa)

### Application

Exhaust air valve BYBA is intended for use in detached houses and apartments with a mechanical ventilation system. The valve can be positioned on a wall or ceiling, it has a low noise level and is very simple to regulate.

It can be secured to circular openings with a diameter of 94100 mm with or without a frame and is thus also suitable for ROT projects.

### Material and surface finish

The device is made of fireproof and dirt-resistant white ABS plastic.

### Instructions

Directions for installation, adjustment and care are set out in detail in our Technical Instruction 3751 which accompanies each product. The Instruction is also accessible on the Internet at [www.flaktgroup.com](http://www.flaktgroup.com).

### Technical data and dimensioning

For complete dimensioning details, please see the FläktGroup product selection program. Contact our nearest sales office for further information.

### Descriptive text

Exhaust air valve BYBA manufactured by FläktGroup with or without a mounting ring or angle duct.

### Product code

**Exhaust air valve**

**BYBA-4-010**

**Mounting ring – insertion connection**

**KGEZ-01-100**

**Mounting ring – fit-on connection**

**KGEZ-05-100**

**Angle duct**

**KGEZ-43-100-080**